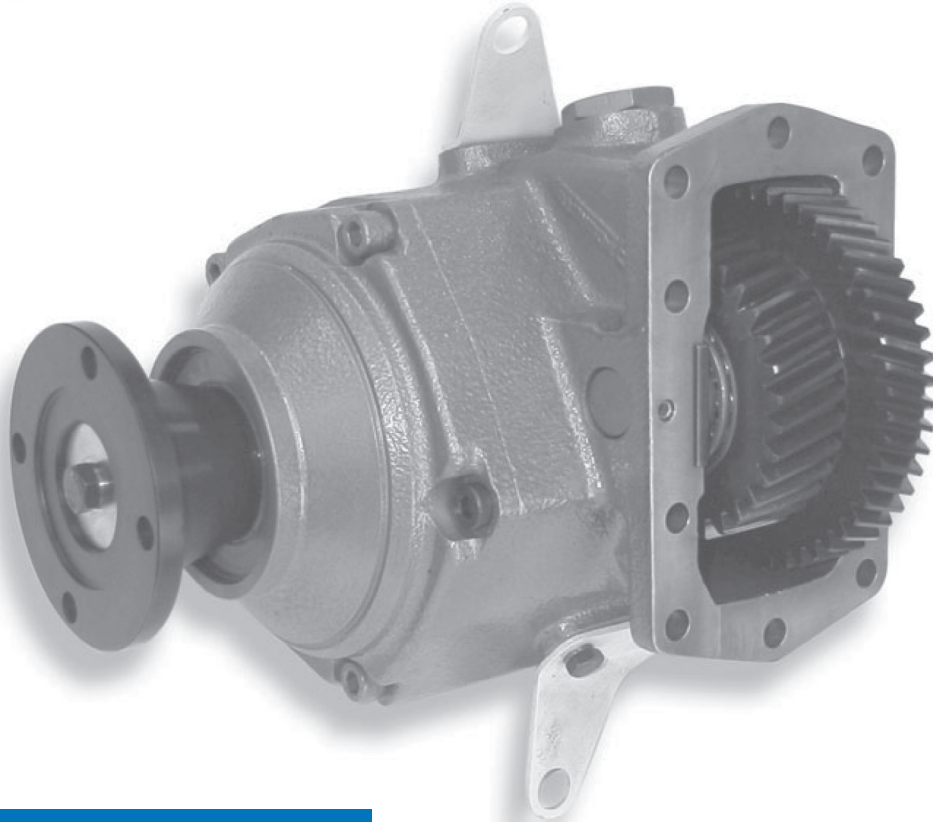


# Technical Data Sheet



## 38 SERIES POWER TAKE-OFF

### LOW RATIO EXTRA HEAVY DUTY SIDE MOUNTED HOTSHIFT POWER TAKE-OFF

The 38 series is a constant mesh Hotshift PTO designed to suit the 10 bolt transmission openings on the MD and HD series Allison automatic transmissions.

This PTO has a high torque rating which is well suited to heavy duty applications.

#### SUITS:

Allison MD 3050P, 3060P, 3070PT, 3550P, 3560P,  
HD 4060P, 4560P.

## PRODUCT FEATURES

- **RATIO OF 1.16 OR 1.64 (TRANSMISSION DEPENDANT)**  
Giving good output values for all applications
- **INTERNAL CLUTCH SYSTEM**  
Ensuring no gear clash when engaging  
Ability to engage when moving
- **VITON SEALS AND 'O' RINGS**  
Ensuring compatibility with high temperature conditions
- **ONE GASKET FITMENT**  
Simple to install, resulting in lower installation costs.
- **LOW PROFILE**  
Providing easier installation on narrow chassis.
- **BALANCED LIFTING**  
Easy & effortless installation

POWAUTO

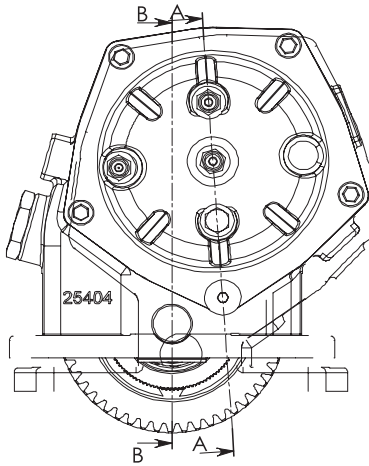
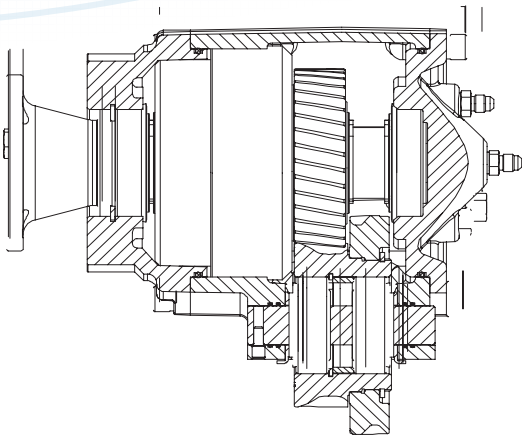
DAVID BROWN  
HYDRAULICS

HYDRECO

**HYDRECO**  
**POWAUTO**  
HYDRAULIC SOLUTIONS PROVIDER

[www.hydreco.com](http://www.hydreco.com)

# Technical Data Sheet



## PTO DESIGNATION CODES 38 series PTO

**Identifier**  
PA = PTO Side mount

**PTO series**  
PA38

**Gear Type**  
JB

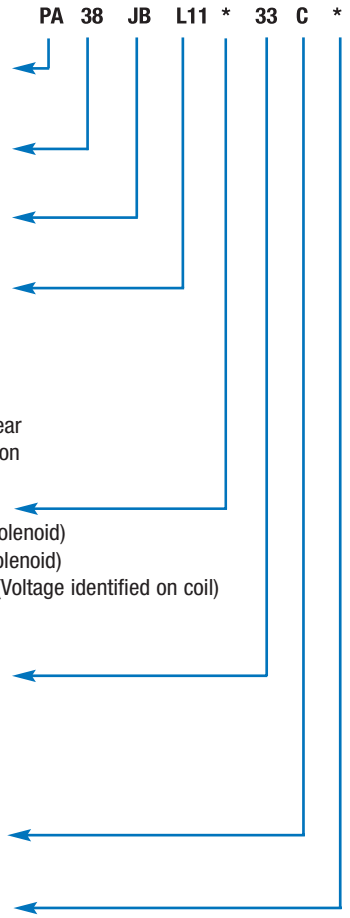
**Build**  
R = Right side of transmission  
L = Left side of transmission  
1 = Selector to top / Bias to bottom  
2 = Selector to bottom / Bias to top  
1 = Centre to front } Position of gear in transmission

**Engagement Type**  
F = Electric / Hydraulic 12V (for integral solenoid)  
G = Electric / Hydraulic 24V (for integral solenoid)  
H = Electric Solenoid control 12V or 24V (Voltage identified on coil)  
J = Hydraulic (for remote solenoid)

**Output Type**  
13 = 13T SAE B  
23 = DIN 5462  
26 = 14T SAE C  
33 = 1410 Flange

**Manufacturers Code**  
C = With mounting kit & PTO control kit

**Remote Solenoid Voltage**  
12V = 12V Solenoid (for remote solenoid)  
24V = 24V Solenoid (for remote solenoid)



For full details refer to owners' manual

## Technical Specifications

### Rating for duty

Torque (Nm /ft lb)	650/480
Power @ 500 rpm output shaft (kW / hp)	34.1/45.7
Power @ 1000 rpm output shaft (kW / hp)	68.1/91.4
Output Shaft Rotation	Same as engine
Approximate Bare Mass (kg / lb)	19.5/43
Mounting Kit	Included

For full details refer to your Hydreco distributor

<b>Spare parts:</b>	Seal Kit:	Seals & gaskets (minor overhaul)	SK072
	Bearing Kit:	Bearings/seals and gaskets (major overhaul)	BK072
	Mounting Gasket Kit:		GK023
		Gears and shafts sold separately	

**DEALER:**

POWAUTO

DAVID BROWN  
HYDRAULICS

HYDRECO

**HYDRECO**  
**POWAUTO**  
HYDRAULIC SOLUTIONS PROVIDER

Version Control No. 2013 10 A

[www.hydreco.com](http://www.hydreco.com)